



## V5 TEDDY Food Mixer - 5 Quart Mixer

Project \_\_\_\_\_

Item Number \_\_\_\_\_

Quantity \_\_\_\_\_



The Varimixer Model V5 TEDDY is an extremely rugged 5-quart mixer with silent motor and stainless steel tools. Plenty of torque at the beater shaft for maximum batch sizes.



**Intertek**  
4002624

ETL listed  
Conforms to UL Std 763  
Certified to CSA Std C22.2 No.195

### Standard Features

- Powerful 0.4 HP motor
- Variable Speed Drive with wide agitator speed range from 100 rpm to 400 rpm
- Stainless Steel Bowl screen
- Aluminum frame with powder coated finish in red, white, silver or black
- Attachment hub
- Permanently lubricated planetary head and attachment hub case
- Safety cut-switch automatically turns the mixer off if mixer is opened.
- Overload protection and no voltage release
- Cord and NEMA 5-15P plug
- ETL and NSF listed
- operated by the 2 rotary knobs, one on each side

- Provisions for bolting to counter or table

### Standard Accessories:

- 5 quart bowl - Stainless steel
- Flat beater - Stainless steel
- Spiral dough hook - Stainless steel
- Wire whip - stainless steel wires
- Plastic bowl lid
- Bowl screen ingredient chute
- Splash guard in plastic

### Optional Attachments:

- Meat grinder

### Warranty:

Carry-In (Local Authorized Service Center)  
one year parts and labor warranty

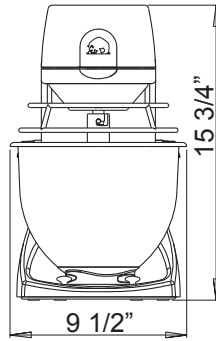
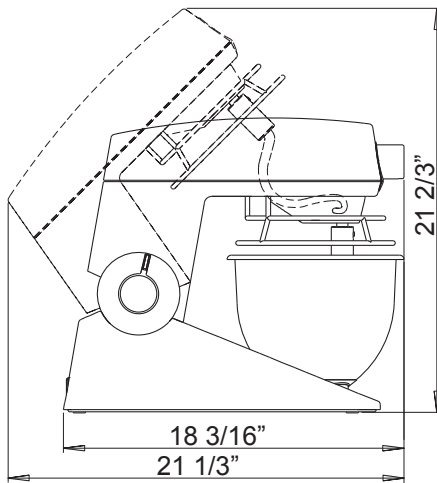
Approved By: \_\_\_\_\_ Date \_\_\_\_\_

 **Varimixer**  
www.varimixerusa.com

14240 South Lakes Drive  
Charlotte, NC 28273  
Phone: 800-222-1138  
Fax: 704-583-1703  
mixer@varimixerusa.com



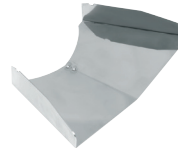
# V5 TEDDY Food Mixer - 5 Quart Mixer



Bowl lid



Splash guard



Ingredient chute



Meat grinder 304

## Specifications

Model No.	Capacity	Overall size			Net. weight
		Height H	Width W	Length L	
V5 TEDDY	bowl 5-qt.	15 3/4" (40 cm)	9.5" (24.13 cm)	21 2/3" (54 cm)	40 lbs. (18 kg)

## Shipping information

Class	CU. FT.	Dimensions			Weight
		Height	Width	Length	
85	25	19 3/4" (50 cm)	11 7/8" (30 cm)	19 3/4" (50 cm)	44 lbs. (20 kg)

<b>Cord &amp; Plug</b>	Power cord included with plug NEMA 5-15P		
<b>Electrical Data for Motor</b>	<b>Motor</b>	<b>Volts</b>	<b>Amp</b>
	0.4 HP	115/60/1	3.0
On the nominal motor voltage, + or - 10% tolerance is allowed.			
<b>Mixing Speed</b>			
Agitator Speed	Min	Max	
	100	400	

## Capacity Chart

Mashed Potatoes .....	Whip or Beater .....	4 lbs.
Whipped Cream .....	Whip .....	1 Qts.
Muffins .....	Beater .....	5 lbs.
Pie dough .....	Beater .....	3 lbs.
Layer Cake .....	Beater .....	2 lbs.
Pancake Batter .....	Whip or Beater .....	2 Qts
Cookie Dough .....	Beater or Hook .....	3 lbs.
Cookie yeast .....	Hook .....	5 lbs.
Donuts, Cake .....	Beater .....	5 lbs.
Bread dough (65% AR) .....	Hook .....	5 lbs.
Pizza dough (50% AR) .....	Hook .....	4 lbs.


**Varimixer**  
[www.varimixerusa.com](http://www.varimixerusa.com)

14240 South Lakes Drive  
 Charlotte, NC 28273  
 Phone: 800-222-1138  
 Fax: 704-583-1703  
[mixer@varimixerusa.com](mailto:mixer@varimixerusa.com)